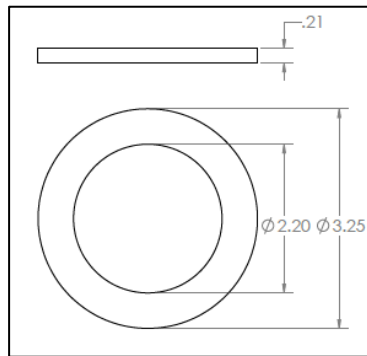
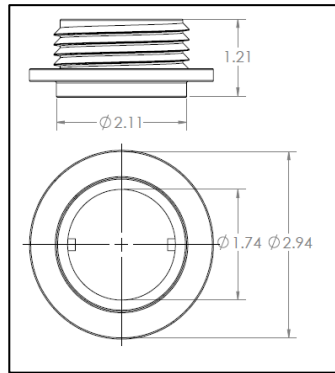
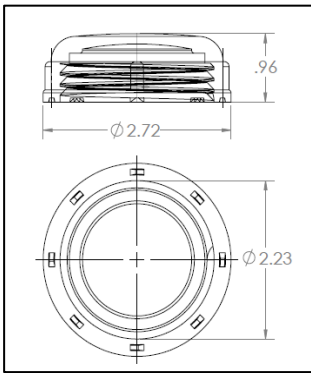


# CAP ASSEMBLY & SPIN PATCH

## FEATURES

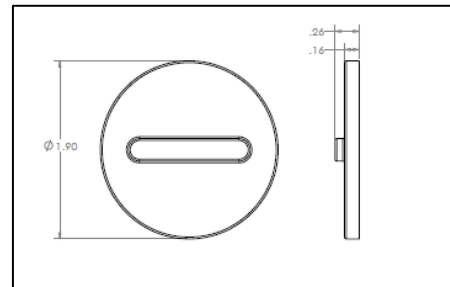
### A NEW ADDITION TO OUR AIK CATALOGUE

Our AIK 2" Cap Assembly is made with a spin weld male thread and matching cap. The cap combination is made from a low-density Polyethylene resin, which is durable and has a high impact resistance. Standard colours come in natural and black, but custom colours are available as per customer's request. Gaskets are available in various materials, such as Viton, Santoprene, Ethylene Propylene Diene Monomer (EPDM).



| SIZE | PART #    | DESCRIPTION        | QTY / BOX |
|------|-----------|--------------------|-----------|
| 2"   | SWC200BLK | 24" THREADED CAP   | 40        |
| 2"   | SWF200    | 2" OD THREADED SWF | 40        |
| 2"   | SWGSK200  | 2" GASKET          | 40        |

Our AIK Spin Patch is made from a low-density Polyethylene resin, which is used to repair tanks with holes. This will stop leakage from occurring.



| PART # | DESCRIPTION                    | QTY / BOX |
|--------|--------------------------------|-----------|
| SPP190 | PATCH 0.970" PILOT x 1.900" OD | 100       |